

# PART KIT INSTALL INSTRUCTIONS

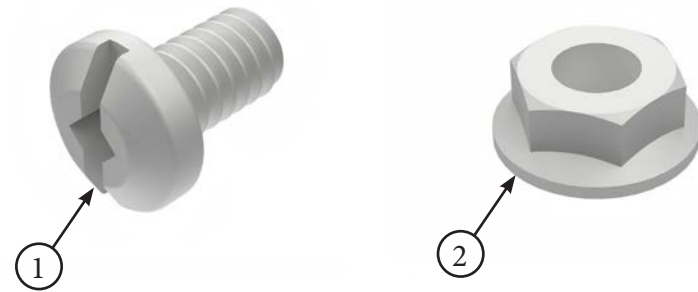
# Modular Raised Garden Beds

Part Kit #VARIES - Rev 1.0 - AIRGUARD - Blockage Prevention System

Release Date: 2024-03-28



<b>Title</b>	Airguard Modular Raised Garden Bed Instructions	<b>RELEASE DATE</b>	2024-03-28
<b>STEP</b>	1. Ensure that you have the tools that are required for this installation. It is preferable to use a power screw driver to speed up the installation process. The majority of the installation uses 1/4" x 1/2" Truss Bolts with 1/2" Flange Nuts. A flathead or square head screwdriver and a 7/16" open ended wrench are required to tighten these bolts. A square will be needed if installing a trellis kit. This installation is best to be done with 2 people.	<b>REV #</b>	1.0
		<b>PART KIT #</b>	Varies

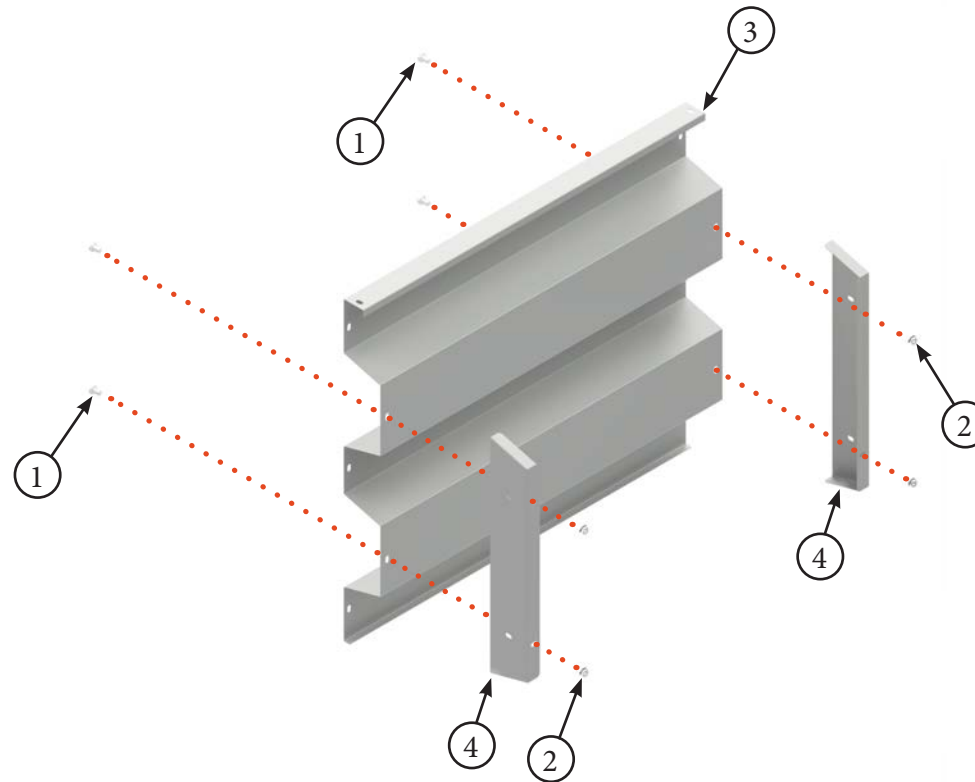


PARTS LIST		
Item	Part #	Description
1	4001	Truss Head Bolt - 1/4" x 1/2"
2	4002	Flange Nut - 1/4"

<b>Title</b>	Airguard Modular Raised Garden Bed Instructions	<b>RELEASE DATE</b>	2024-03-28
<b>STEP</b>	2. Bolt the inner corner plates (Item 4) to the shorter end panel (Item 3) using the 1/4" Truss bolts (Item 1) and 1/4" Flange nuts (Item 2). Do this 2 times.	<b>REV #</b>	1.0
		<b>PART KIT #</b>	Varies

## RAISED GARDEN BED KIT: 4000

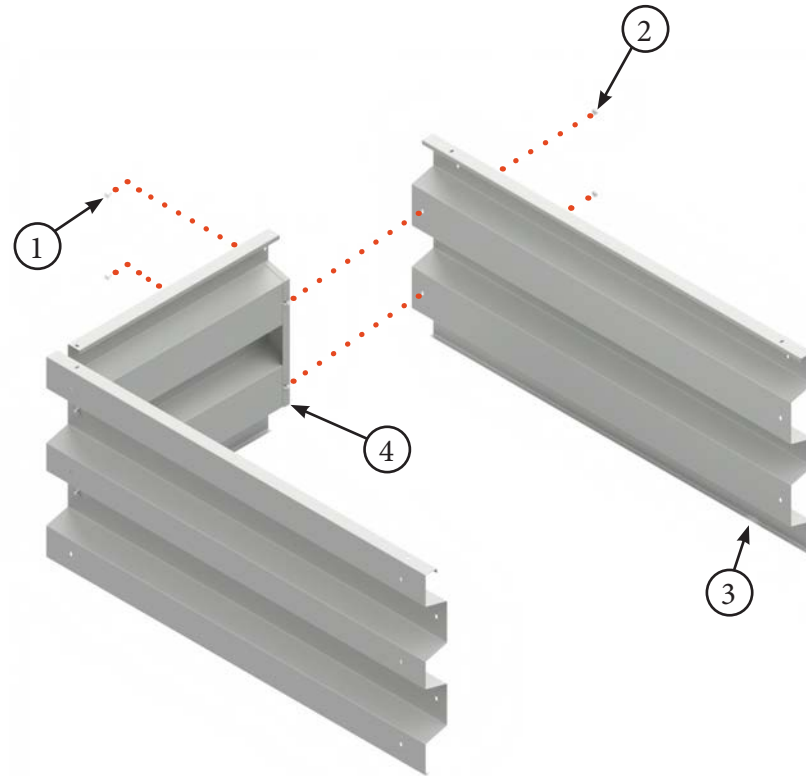
**2X**



**DO NOT TIGHTEN ANY BOLTS UNTIL ALL OF THE COMPONENTS ARE LOOSELY ASSEMBLED FIRST. THIS MAKES FITUP MUCH EASIER.**

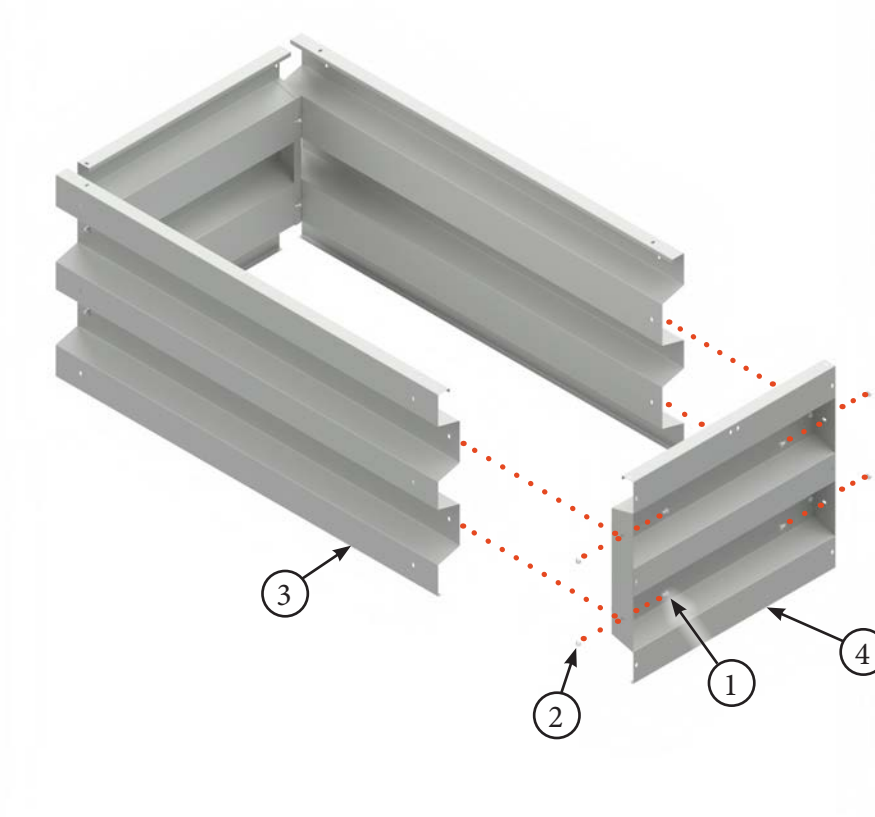
PARTS LIST		
Item	Part #	Description
1	4001	Truss Head Bolt - 1/4" x 1/2"
2	4002	Flange Nut - 1/4"
3	4005	Short End Panel
4	4006	Inner Corner Plate

<b>Title</b>	Airguard Modular Raised Garden Bed Instructions	<b>RELEASE DATE</b>	2024-03-28
<b>STEP</b>	3. Bolt the long panels (Item 3) to one of the assembled end panels (Item 4) from step 1. Use the 1/4" Truss bolts (Item 1) and 1/4" Flange nuts (Item 2) to make the connection.	<b>REV #</b>	1.0
		<b>PART KIT #</b>	Varies



PARTS LIST		
Item	Part #	Description
1	4001	Truss Head Bolt - 1/4" x 1/2"
2	4002	Flange Nut - 1/4"
3	4004	Long Panel
4	--	Assembled End Panel

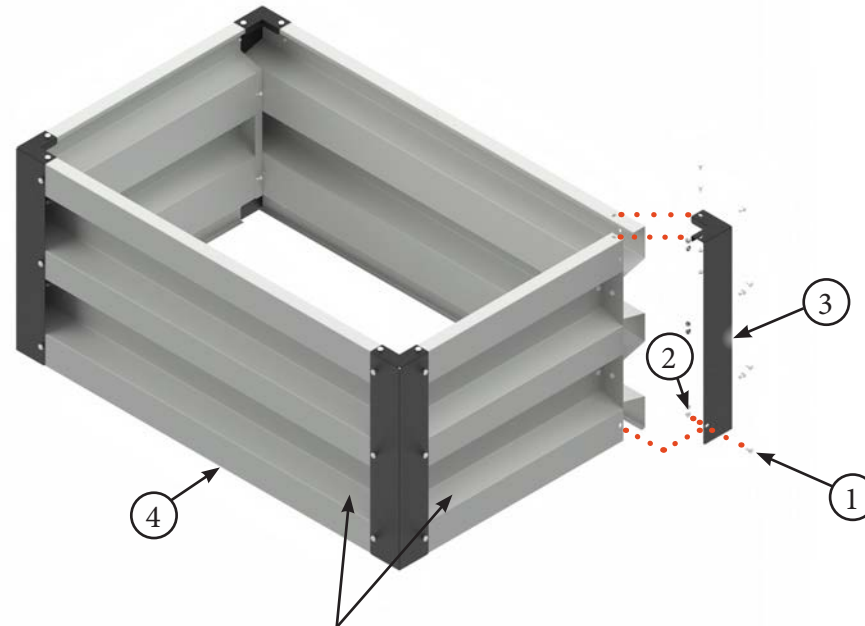
<b>Title</b>	Airguard Modular Raised Garden Bed Instructions	<b>RELEASE DATE</b>	2024-03-28
<b>STEP</b>	4. Bolt the long panels (Item 3) to the remaining assembled end panel (Item 4) from step 1. Use the 1/4" Truss bolts (Item 1) and 1/4" Flange nuts (Item 2) to make the connection. If you are installing extensions skip this step and move to step 7 on page 8.	<b>REV #</b>	1.0
		<b>PART KIT #</b>	Varies



**If you are installing extra extension panels for longer raised garden beds, SKIP STEP 4 and move to STEP 7 (Page 8)**

PARTS LIST		
Item	Part #	Description
1	4001	Truss Head Bolt - 1/4" x 1/2"
2	4002	Flange Nut - 1/4"
3	4004	Long Panel
4	--	Assembled End Panel

<b>Title</b>	Airguard Modular Raised Garden Bed Instructions	<b>RELEASE DATE</b>	2024-03-28
<b>STEP</b>	5. Slide the outside corner plate (Item 3) over the top lip of the assembled garden bed (Item 4). Angle the bottom of the outside corner plate outward to assist the top channel to slide over the top lip. Have one person pull down on the panels to get the bottom bolt to line up. Use the 1/4" Truss bolts (Item 1) and 1/4" Flange nuts (Item 2) to make the connection. After loosely installing all of the bolts, tighten every bolt with tools to ensure all connections are secure.	<b>REV #</b>	1.0
		<b>PART KIT #</b>	Varies

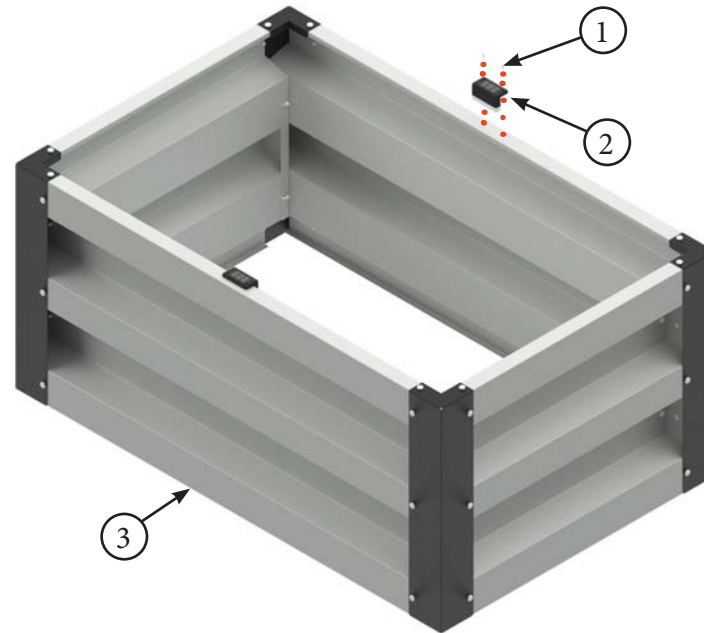


Push here to get bottom bolt holes to line up.

**TIGHTEN ALL BOLTS WITH TOOLS AFTER ALL HARDWARE IS LOOSELY ASSEMBLED.**

PARTS LIST		
Item	Part #	Description
1	4001	Truss Head Bolt - 1/4" x 1/2"
2	4002	Flange Nut - 1/4"
3	4007	Outside Corner Plate
4	--	Assembled Raised Garden Bed

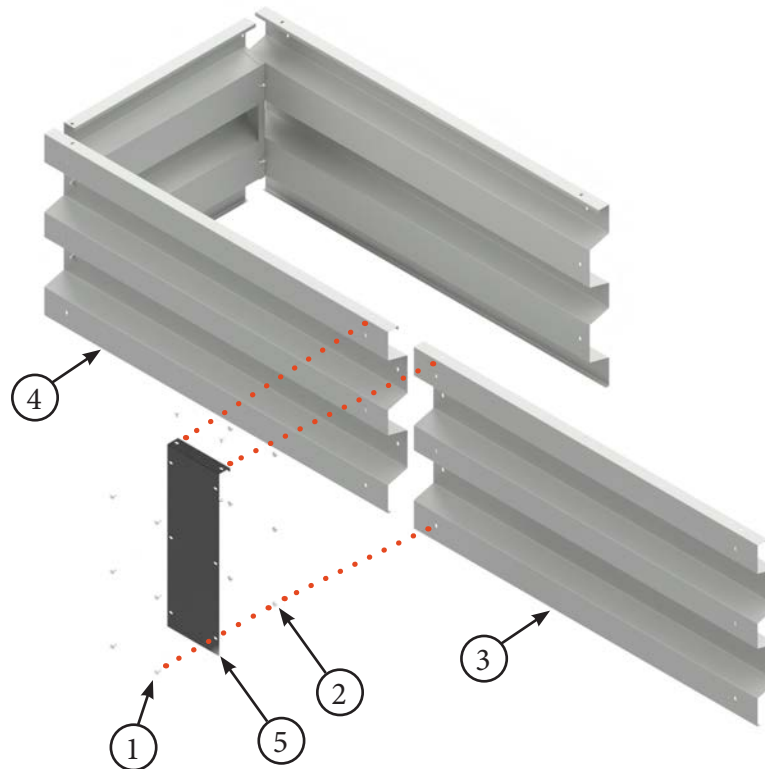
<b>Title</b>	Airguard Modular Raised Garden Bed Instructions	<b>RELEASE DATE</b>	2024-03-28
<b>STEP</b>	6. Attach garden bed solar path lights (Item 2) to top of garden bed (Item 3) using supplied screws (Item 1) or 2 sided tape. Fully assembled Raised Garden Bed is complete. Choose a level area to place the garden bed and fill with soil.	<b>REV #</b>	1.0
		<b>PART KIT #</b>	Varies



PARTS LIST		
Item	Part #	Description
1	--	Screw
2	4008	Solar Light
3	--	Assembled Raised Garden Bed

<b>Title</b>	Airguard Modular Raised Garden Bed Instructions	<b>RELEASE DATE</b>	2024-03-28
<b>STEP</b>	7. Attach additional long panel (Item 3) to partially assembled garden bed (Item 4) using the extension support plate (Item 5). Slide the extension support plate (Item 5) over the top lip of the 2 long panels (Item 3). Angle the bottom of the extension support plate outward to assist the top channel to slide over the top lip. Use the 1/4" Truss bolts (Item 1) and 1/4" Flange nuts (Item 2) to make the connection.	<b>REV #</b>	1.0
		<b>PART KIT #</b>	Varies

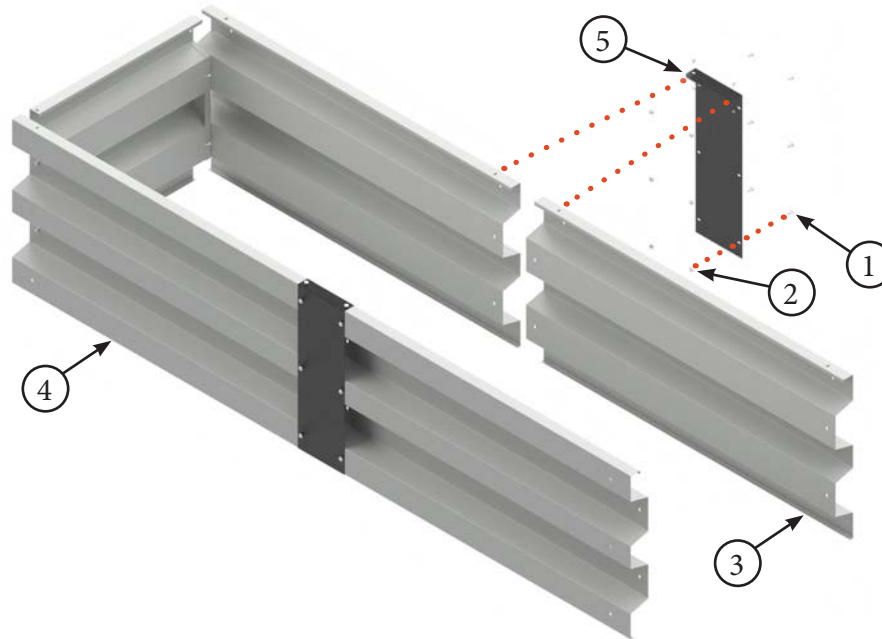
## RAISED GARDEN BED EXTENSION KIT: 4010



PARTS LIST		
Item	Part #	Description
1	4001	Truss Head Bolt - 1/4" x 1/2"
2	4002	Flange Nut - 1/4"
3	4004	Long Panel
4	--	Assembled Raised Garden Bed
5	4009	Extension Support Plate

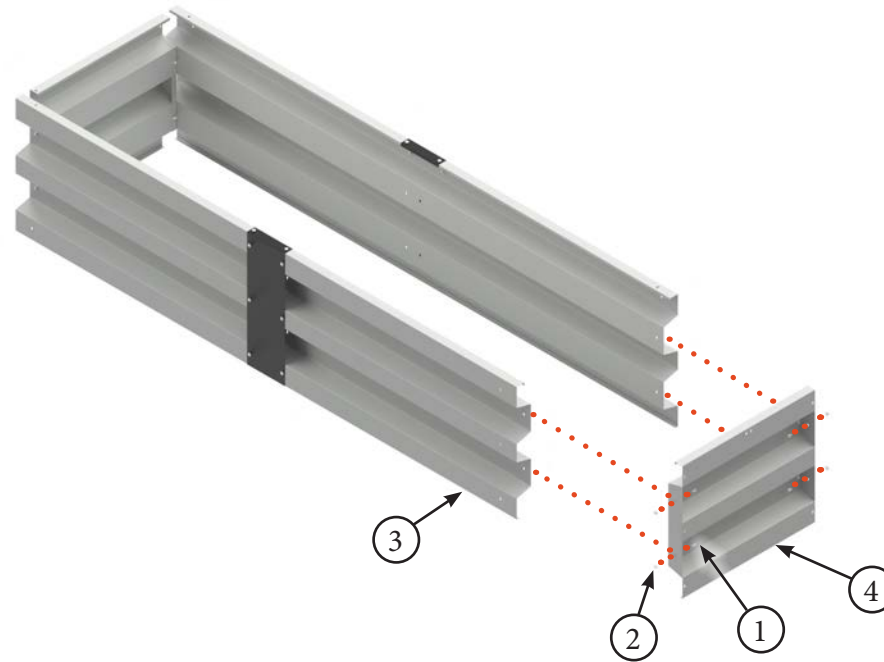


<b>Title</b>	Airguard Modular Raised Garden Bed Instructions	<b>RELEASE DATE</b>	2024-03-28
<b>STEP</b>	8. Attach the other additional long panel (Item 3) to partially assembled garden bed (Item 4) using the extension support plate (Item 5). Slide the extension support plate (Item 5) over the top lip of the 2 long panels (Item 3). Angle the bottom of the extension support plate outward to assist the top channel to slide over the top lip. Use the 1/4" Truss bolts (Item 1) and 1/4" Flange nuts (Item 2) to make the connection.	<b>REV #</b>	1.0
		<b>PART KIT #</b>	Varies



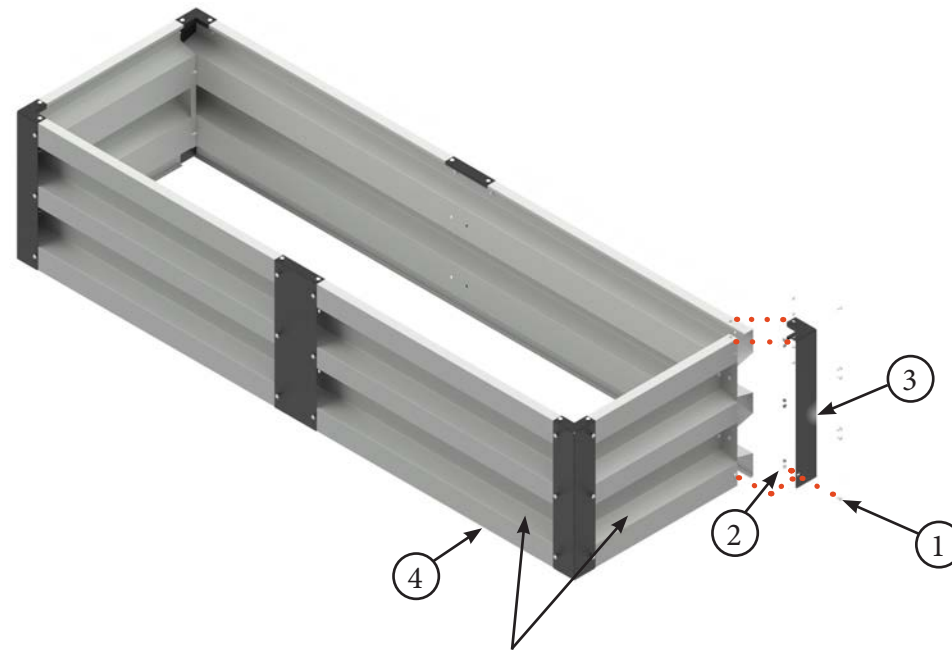
PARTS LIST		
Item	Part #	Description
1	4001	Truss Head Bolt - 1/4" x 1/2"
2	4002	Flange Nut - 1/4"
3	4004	Long Panel
4	--	Assembled Raised Garden Bed
5	4009	Extension Support Plate

<b>Title</b>	Airguard Modular Raised Garden Bed Instructions	<b>RELEASE DATE</b>	2024-03-28
<b>STEP</b>	9. Bolt the long panels (Item 3) to the remaining assembled end panel (Item 4) from step 1. Use the 1/4" Truss bolts (Item 1) and 1/4" Flange nuts (Item 2) to make the connection. If you are installing extensions skip to step 7 on page 8.	<b>REV #</b>	1.0
		<b>PART KIT #</b>	Varies



PARTS LIST		
Item	Part #	Description
1	4001	Truss Head Bolt - 1/4" x 1/2"
2	4002	Flange Nut - 1/4"
3	4004	Long Panel
4	--	Assembled End Panel

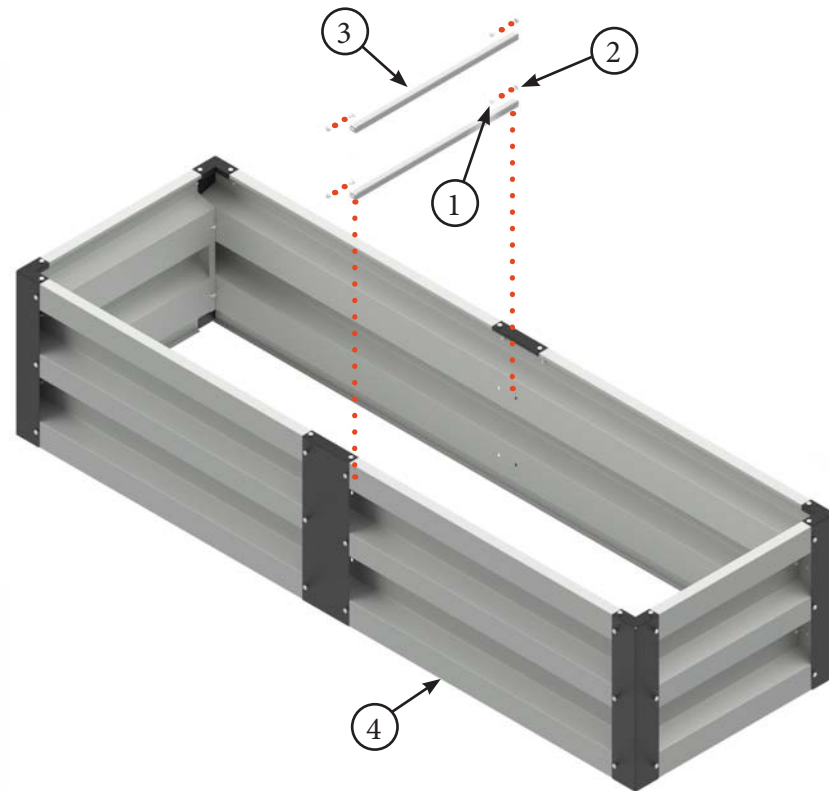
<b>Title</b>	Airguard Modular Raised Garden Bed Instructions	<b>RELEASE DATE</b>	2024-03-28
<b>STEP</b>	10. Slide the outside corner plate (Item 3) over the top lip of the assembled garden bed (Item 4). Angle the bottom of the outside corner plate outward to assist the top channel to slide over the top lip. Have one person pull down on the panels to get the bottom bolt to line up. Use the 1/4" Truss bolts (Item 1) and 1/4" Flange nuts (Item 2) to make the connection.	<b>REV #</b>	1.0
		<b>PART KIT #</b>	Varies



Push here to get bottom bolt holes to line up.

PARTS LIST		
Item	Part #	Description
1	4001	Truss Head Bolt - 1/4" x 1/2"
2	4002	Flange Nut - 1/4"
3	4007	Outside Corner Plate
4	--	Assembled Raised Garden Bed

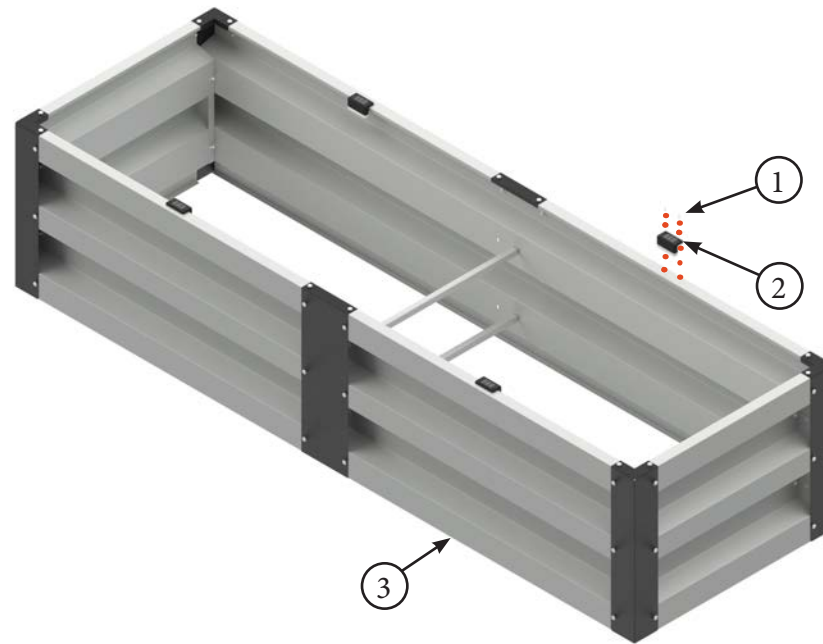
<b>Title</b>	Airguard Modular Raised Garden Bed Instructions	<b>RELEASE DATE</b>	2024-03-28
<b>STEP</b>	11. Bolt center supports (Item 3) to inside of of the assembled garden bed (Item 4). Use the 1/4" Truss bolts (Item 1) and 1/4" Flange nuts (Item 2) to make the connection. After loosely installing all of the bolts, tighten every bolt with tools to ensure all connections are secure.	<b>REV #</b>	1.0
		<b>PART KIT #</b>	Varies



**TIGHTEN ALL BOLTS WITH TOOLS AFTER ALL HARDWARE IS LOOSELY ASSEMBLED.**

PARTS LIST		
Item	Part #	Description
1	4001	Truss Head Bolt - 1/4" x 1/2"
2	4002	Flange Nut - 1/4"
3	4011	Center Support
4	--	Assembled Raised Garden Bed

<b>Title</b>	Airguard Modular Raised Garden Bed Instructions	<b>RELEASE DATE</b>	2024-03-28
<b>STEP</b>	12. Attach garden bed solar path lights (Item 2) to top of garden bed (Item 3) using supplied screws (Item 1) or 2 sided tape. Fully assembled Raised Garden Bed is complete. Choose a level area to place the garden bed and fill with soil.	<b>REV #</b>	1.0
		<b>PART KIT #</b>	Varies

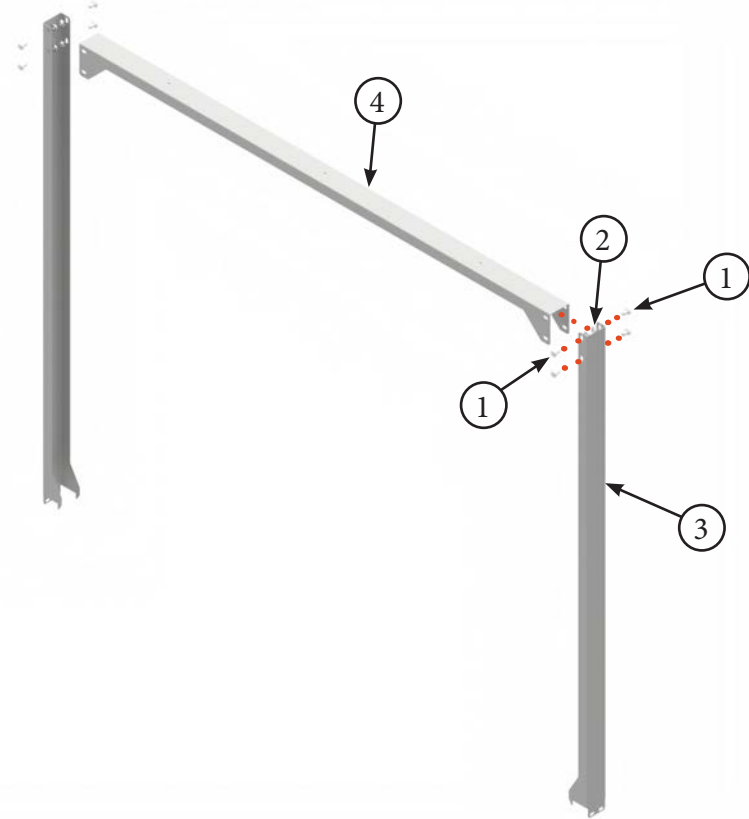
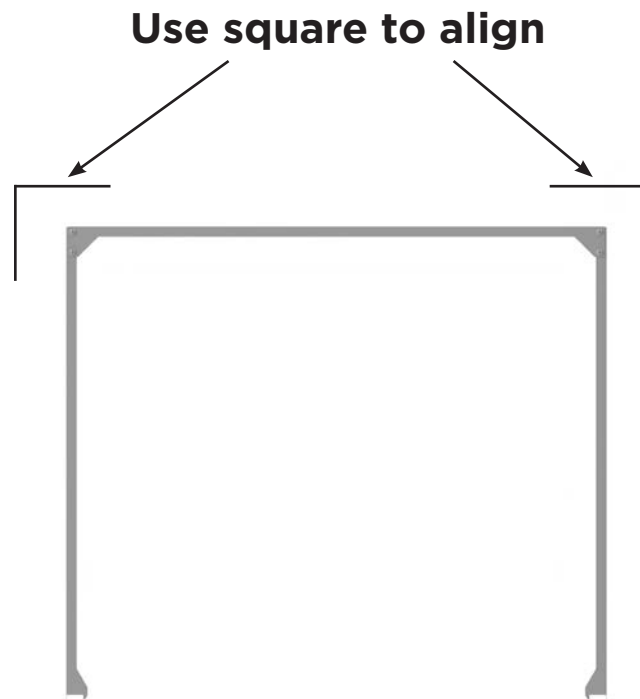


**TIGHTEN ALL BOLTS WITH TOOLS AFTER ALL HARDWARE IS LOOSELY ASSEMBLED.**

PARTS LIST		
Item	Part #	Description
1	--	Screw
2	4008	Solar Light
3	--	Assembled Raised Garden Bed

<b>Title</b>	Airguard Modular Raised Garden Bed Instructions	<b>RELEASE DATE</b>	2024-03-28
<b>STEP</b>	13. The easiest way to install the trellis attachment is to start by laying out the trellis uprights (Item 3) and Trellis Beam (Item 4) on the floor. Use the 1/4" Truss bolts (Item 1) and 1/4" Flange nuts (Item 2) to connect the beam and uprights. Use a square to align the beam and uprights and then proceed to tighten the bolts in place with your tools.	<b>REV #</b>	1.0
		<b>PART KIT #</b>	Varies

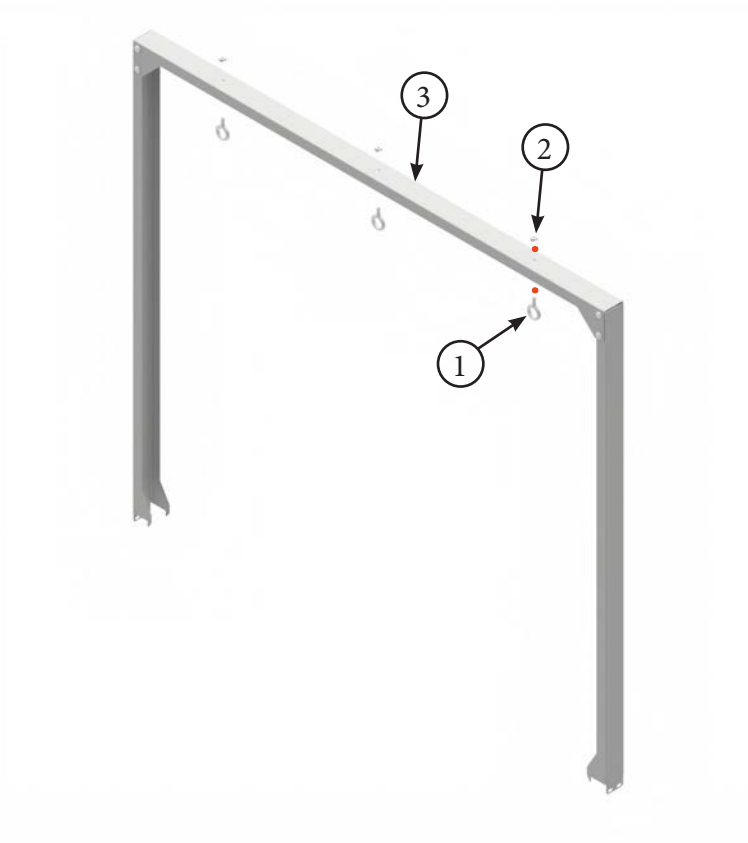
## RAISED GARDEN BED TRELLIS: 4010



**TIGHTEN ALL BOLTS WITH TOOLS AFTER ALL HARDWARE IS LOOSELY ASSEMBLED.**

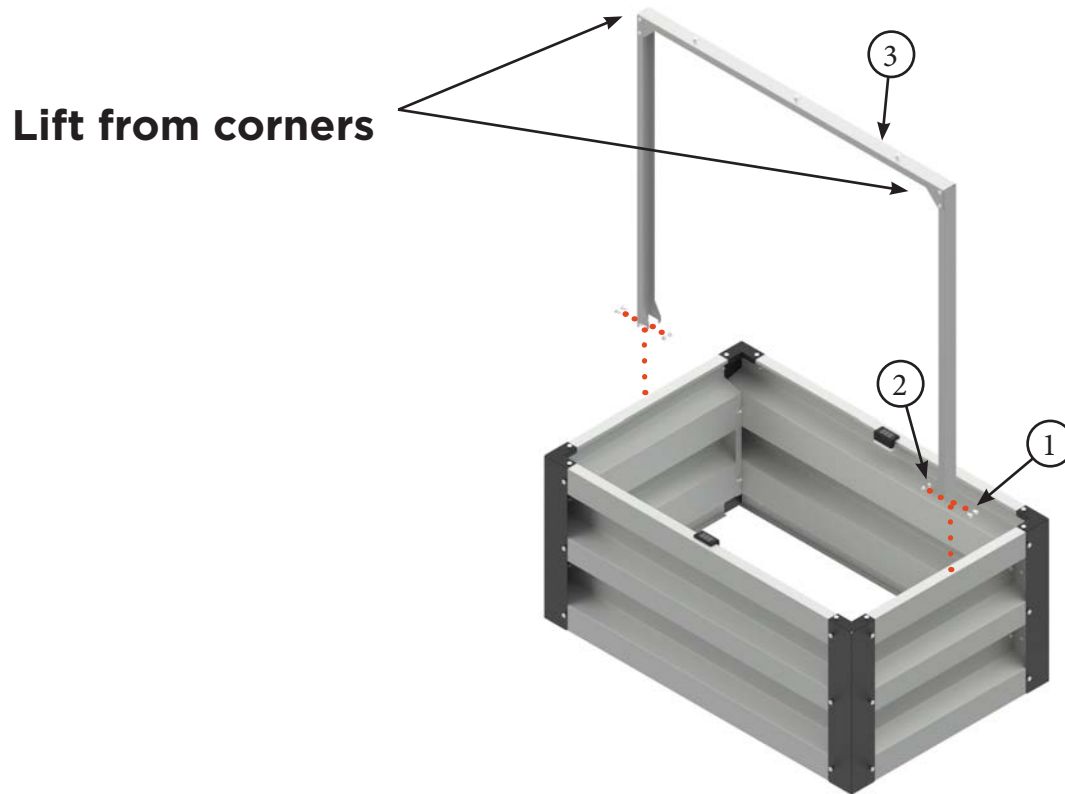
PARTS LIST		
Item	Part #	Description
1	4001	Truss Head Bolt - 1/4" x 1/2"
2	4002	Flange Nut - 1/4"
3	4012	Trellis Upright
4	4013	Trellis Beam

<b>Title</b>	Airguard Modular Raised Garden Bed Instructions	<b>RELEASE DATE</b>	2024-03-28
<b>STEP</b>	14. Attach the eye bolts (Item 1) to the trellis beam (Item 3). Use the supplied flange nuts (Item 2) to tighten in position. These eye bolts will be used to attach your rope or string for your plants to climb. Rope and string are not supplied.	<b>REV #</b>	1.0
		<b>PART KIT #</b>	Varies



PARTS LIST		
Item	Part #	Description
1	4003	Eye Bolt - 1/4" x 1/2"
2	4002	Flange Nut - 1/4"
3	4013	Trellis Beam

<b>Title</b>	Airguard Modular Raised Garden Bed Instructions	<b>RELEASE DATE</b>	2024-03-28
<b>STEP</b>	15. The trellis is easily bent before it is installed on the garden bed. Take care when lifting it into position. Lift the trellis kit (Item 3) from the corners with 2 people and slide the uprights onto the end of the assembled raised garden bed (Item 4). Make sure that the uprights are pushed all the way down onto the garden bed. This will ensure maximum strength and rigidity and that the trellis kit is 90deg to the garden bed.	<b>REV #</b>	1.0
		<b>PART KIT #</b>	Varies



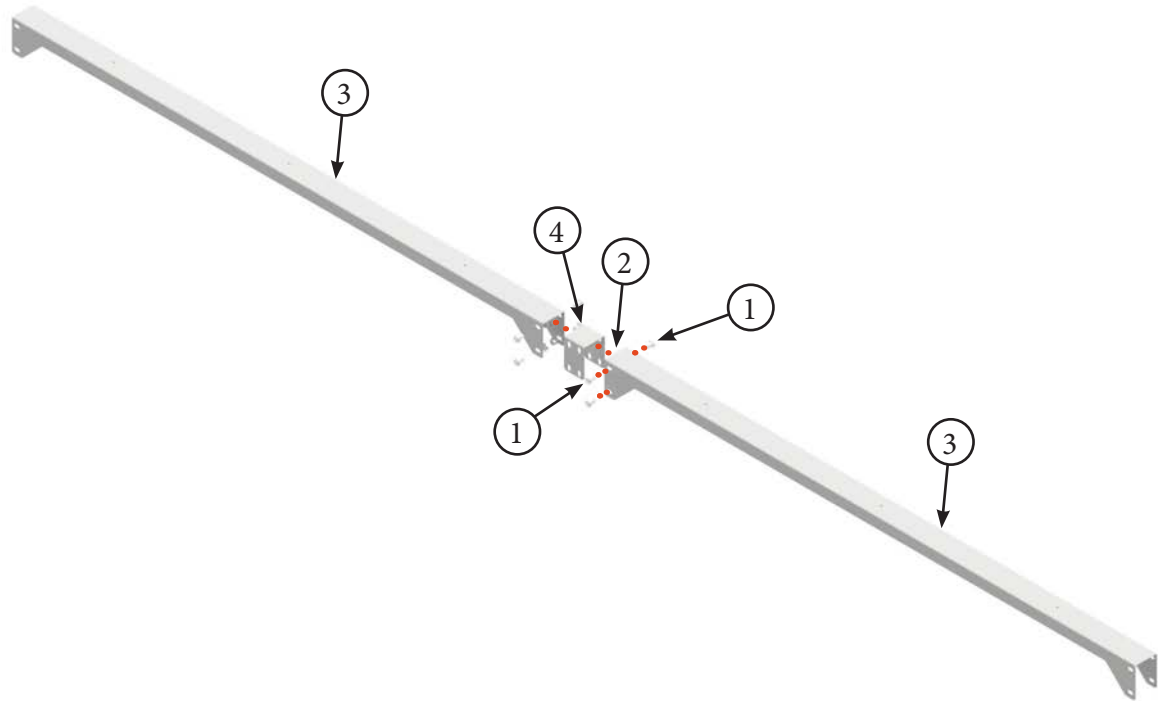
**TIGHTEN ALL BOLTS WITH TOOLS AFTER ALL HARDWARE IS LOOSELY ASSEMBLED.**

PARTS LIST		
Item	Part #	Description
1	4001	Truss Head Bolt - 1/4" x 1/2"
2	4002	Flange Nut - 1/4"
3	4020	Assembled Trellis Kit
4	4000	Assembled Raised Garden Bed



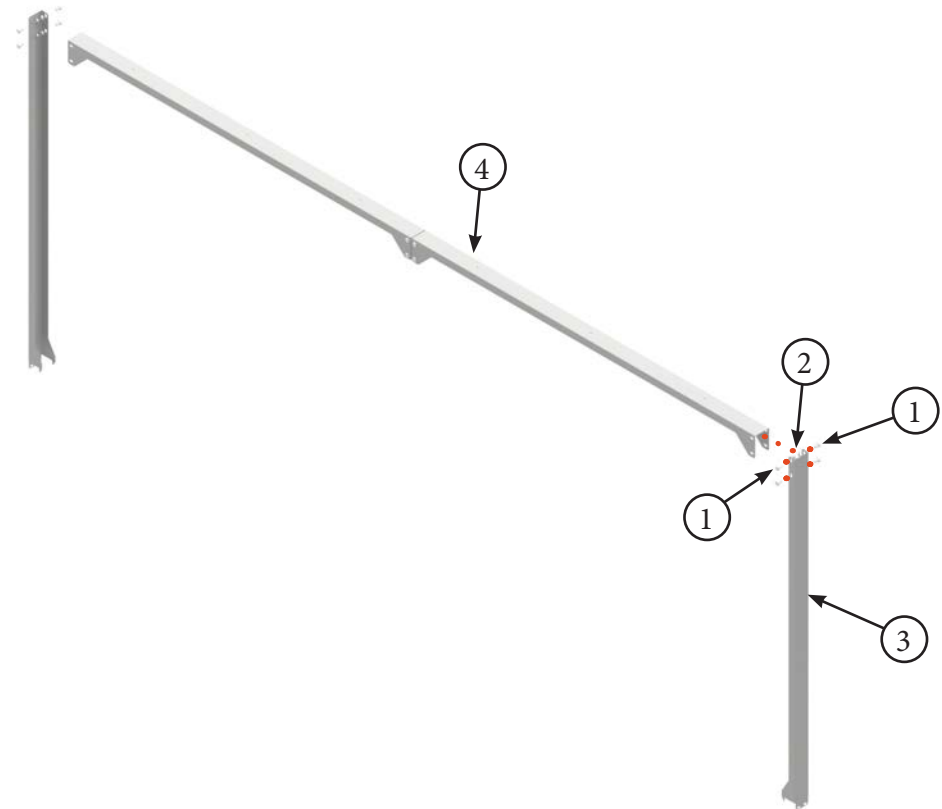
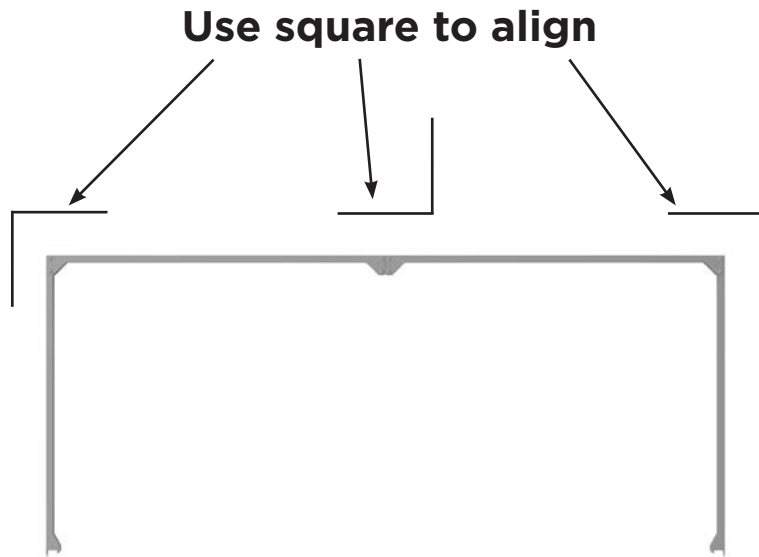
<b>Title</b>	Airguard Modular Raised Garden Bed Instructions	<b>RELEASE DATE</b>	2024-03-28
<b>STEP</b>	16. For garden beds with extensions, the trellis kit with the extension is required. The easiest way to install the trellis attachment is to start by laying out the trellis beams (Item 3) and connection plate (Item 4) on the floor. Use the 1/4" Truss bolts (Item 1) and 1/4" Flange nuts (Item 2) to make the connection.	<b>REV #</b>	1.0
		<b>PART KIT #</b>	Varies

## RAISED GARDEN BED EXTENDED TRELLIS: 4020 & 4030



PARTS LIST		
Item	Part #	Description
1	4001	Truss Head Bolt - 1/4" x 1/2"
2	4002	Flange Nut - 1/4"
3	4013	Trellis Beam
4	4015	Connection Plate

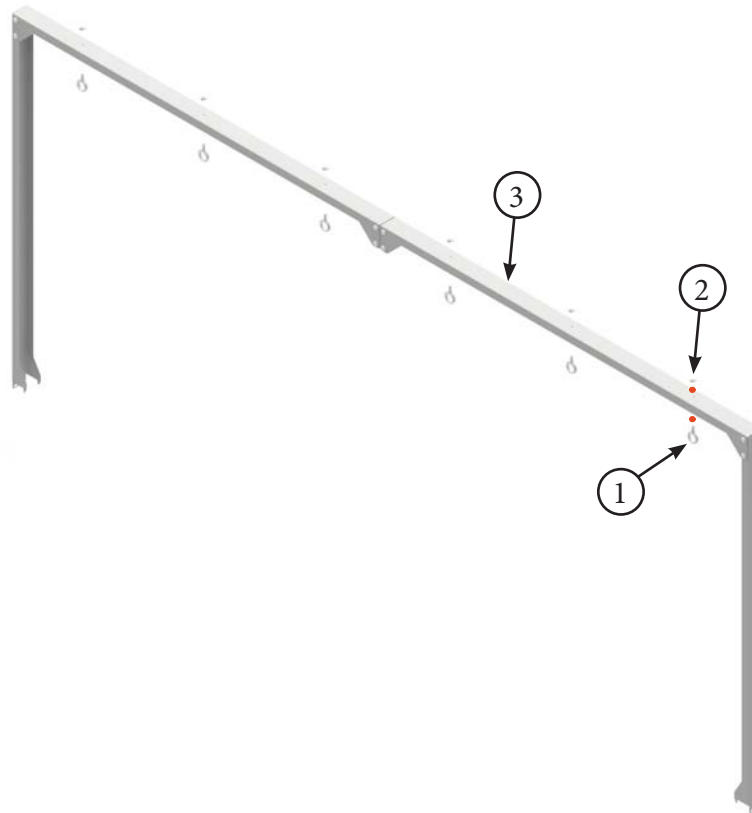
<b>Title</b>	Airguard Modular Raised Garden Bed Instructions	<b>RELEASE DATE</b>	2024-03-28
<b>STEP</b>	17. Place the trellis uprights (Item 3) and assembled trellis beam (Item 4) on the floor. Use the 1/4" Truss bolts (Item 1) and 1/4" Flange nuts (Item 2) to connect the beam and uprights. Use a square to align the beam and uprights and then proceed to tighten the bolts in place with your tools.	<b>REV #</b>	1.0
		<b>PART KIT #</b>	Varies



**TIGHTEN ALL BOLTS WITH TOOLS AFTER ALL HARDWARE IS LOOSELY ASSEMBLED.**

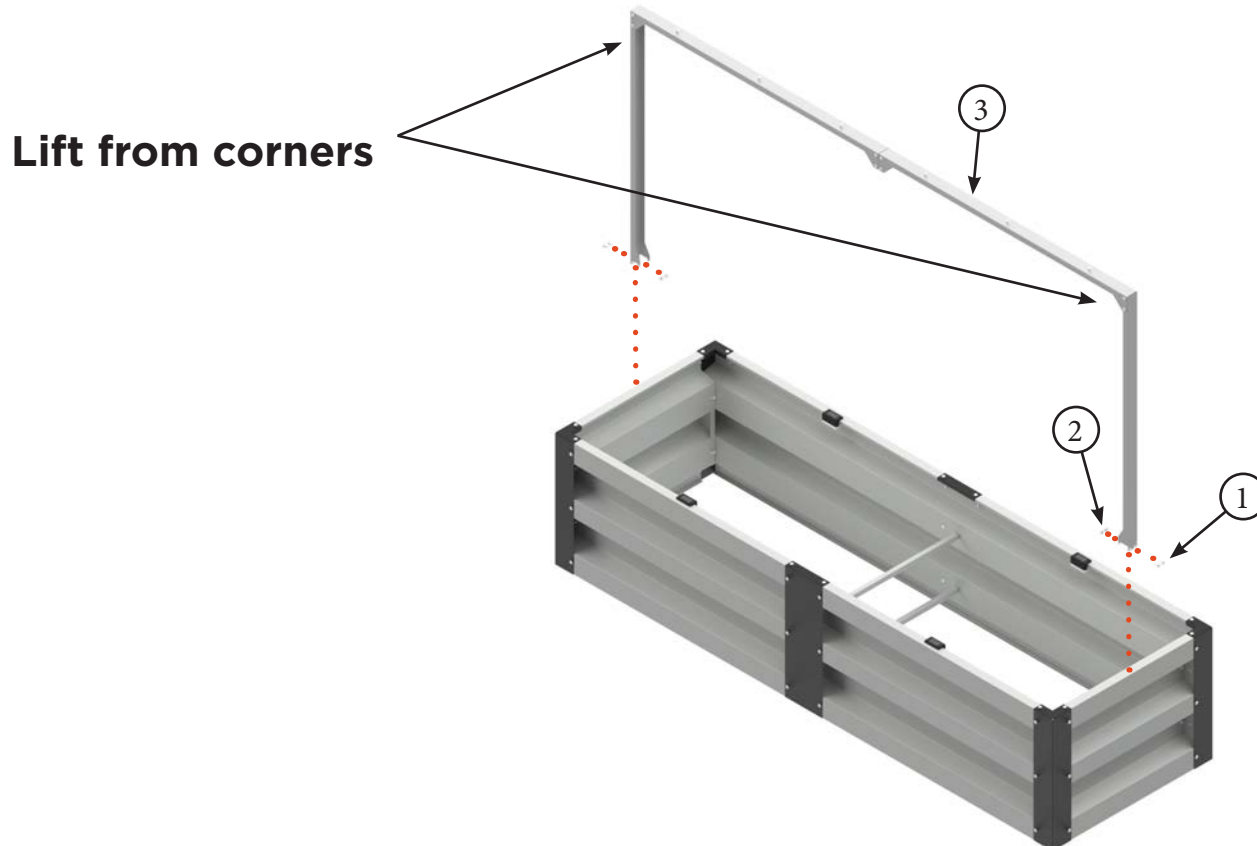
PARTS LIST		
Item	Part #	Description
1	4001	Truss Head Bolt - 1/4" x 1/2"
2	4002	Flange Nut - 1/4"
3	4013	Trellis Upright
4	--	Assembled Trellis Beam

<b>Title</b>	Airguard Modular Raised Garden Bed Instructions	<b>RELEASE DATE</b>	2024-03-28
<b>STEP</b>	18. Attach the eye bolts (Item 1) to the trellis beam (Item 3). Use the supplied flange nuts (Item 2) to tighten in position. These eye bolts will be used to attach your rope or string for your plants to climb. Rope and string are not supplied.	<b>REV #</b>	1.0
		<b>PART KIT #</b>	Varies



PARTS LIST		
Item	Part #	Description
1	4003	Eye Bolt - 1/4" x 1/2"
2	4002	Flange Nut - 1/4"
3	4013	Trellis Beam

<b>Title</b>	Airguard Modular Raised Garden Bed Instructions	<b>RELEASE DATE</b>	2024-03-28
<b>STEP</b>	19. The trellis is easily bent before it is installed on the garden bed. Take care when lifting it into position. Lift the trellis kit (Item 3) from the corners with 2 people and slide the uprights onto the end of the assembled raised garden bed (Item 4). Make sure that the uprights are pushed all the way down onto the garden bed. This will ensure maximum strength and rigidity and that the trellis kit is 90deg to the garden bed.	<b>REV #</b>	1.0
		<b>PART KIT #</b>	Varies

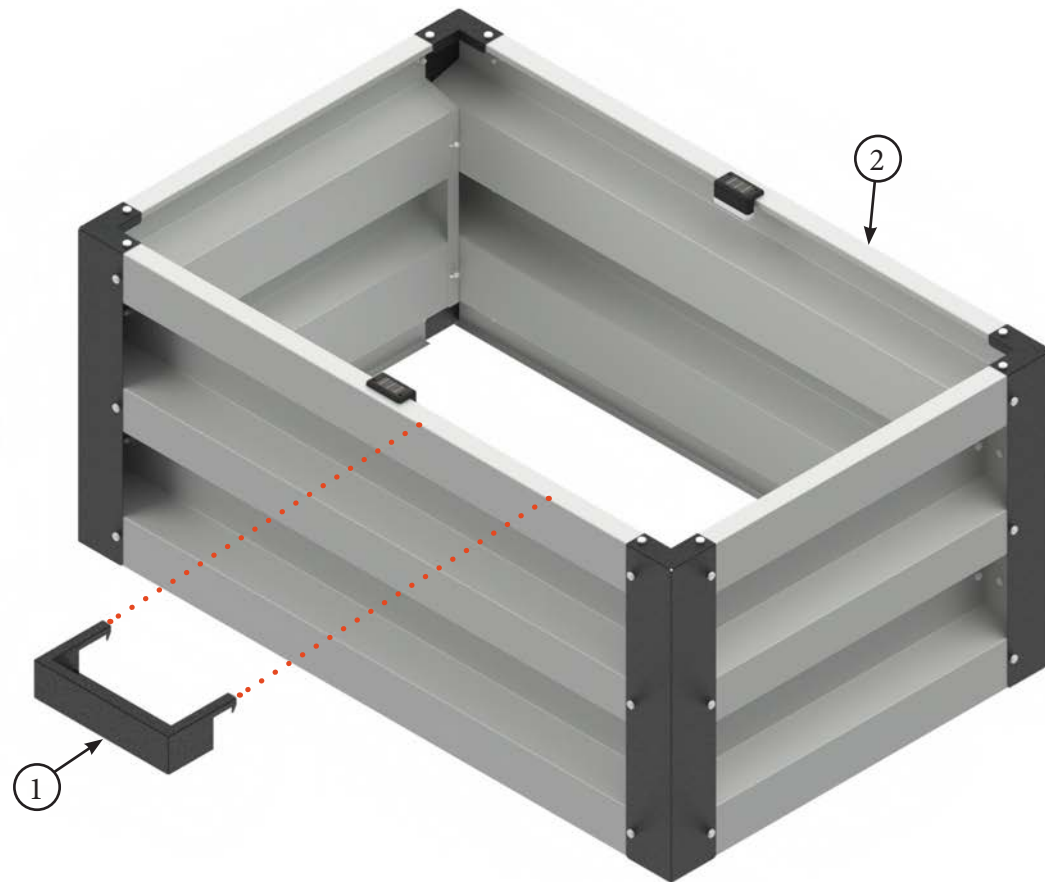


**TIGHTEN ALL BOLTS WITH TOOLS AFTER ALL HARDWARE IS LOOSELY ASSEMBLED.**

PARTS LIST		
Item	Part #	Description
1	4001	Truss Head Bolt - 1/4" x 1/2"
2	4002	Flange Nut - 1/4"
3	4020&4030	Assembled Trellis Kit (Extended)
4	4000&4010	Assembled Raised Garden Bed (Extended)

<b>Title</b>	Airguard Modular Raised Garden Bed Instructions	<b>RELEASE DATE</b>	2024-03-28
<b>STEP</b>	20. The optional tool holder is a handy addition to your raised garden bed. The storage shelf slides onto the top edge of any of the panels. Once installed you can store your garden tools inside.	<b>REV #</b>	1.0
		<b>PART KIT #</b>	Varies

## RAISED GARDEN BED TOOL HOLDER: 4014



PARTS LIST		
Item	Part #	Description
1	4014	Tool Holder
2	--	Assembled Raised Garden Bed

<b>Title</b>	Airguard Modular Raised Garden Bed Instructions	<b>RELEASE DATE</b>	2024-03-28
<b>STEP</b>	ASSEMBLY COMPLETED	<b>REV #</b>	1.0
		<b>PART KIT #</b>	Varies



## FULLY ASSEMBLED MODULAR RAISED GARDEN BED



**AIRGUARD**

**Aluminum Garden Labels/Markers**

**Available with and without custom laser engraved plant names.**

**Custom labels are available upon request.**